



SAN1-2100 SaniStand™ Double Hand Foam Dispenser Assembly Instructions

General Overview

The SAN1-2100 - SaniStand™ Double Hand Foam Dispenser is designed for use where hand washing is not available such as festivals, food service locations, petting zoos, construction sites, etc., to be used indoors or out. The base can be filled with water or sand to provide additional stability.

Specifications

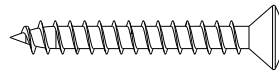
Dimension	Imperial	Metric
Base/Top/Dispensing Pipe	28"x28"x66"	71x71x168 cm
Maximum Hand Foam Dispensers	135 fl oz (4-1000 ml refill bags)	
Number of Single Foam Dispenses	5,333 (4000-.75 ml dispenses)	
Weight Empty w/Dispensers	36 lb	16.3 kg
Base Capacity	23 gal	87.1 ltr

ADA Compliant

~~~Assembly Tools Required~~~

- Drill with a Phillips Bit
or a Phillips Head Screwdriver

Full Scale Fastener Drawing



(4) PC-000158
Self-Tapping Screws

Assembly Instructions

NOTE: All drilling will require a 13/64" bit. * = Specify Color Option

Step 1. Insert the SAN1-0005 - Dispensing Pipe into the SAN1-0001G - Base.

Step 2. Line up the pre-drilled holes of the base and dispensing pipe. Insert a PC-000762 - Locking Rod through the holes of the base and dispensing pipe and push through to the other side. Place a PC-000205M - Lock onto the locking rod and secure in place.

NOTE: The suggested positioning of the Dispenser Holders would be with the Foam Dispensers in opposition of each other (the top two dispensers opposite the bottom two dispensers).

Step 3. Place the SAN1-0004*BC - Bottom Foam Dispenser Holder (the holder with a hole through the center) onto the dispensing pipe, lining up the corners of the holder with the corners of the base.

Step 4. Place the SAN1-0004*TC - Top Foam Dispenser Holder onto the dispensing pipe, (the holder with a center hole at the bottom) lining up the corners of the holder with the corners of the base (making sure that it fits snugly on the pipe).

Step 5. While pushing down on the top of the holder, drive (2) PC-000158 Self-Tapping Screws through the two drill spots located along the top of the holder and through the dispensing pipe.

Step 6. Pull the bottom holder up so that it fits up against the bottom of the top holder (with the foam dispensers opposite as suggested). Drive (2) PC-000158 Self-Tapping Screws through the two drill spots located along the top of the holder and through the dispensing pipe.

General Use and Information

Filling a Dispenser:

To fill a dispenser, push up on the tab from underneath the dispenser and pull down the cover. Fill with **Rid-It™ - Foam Hand Sanitizer** (follow the instructions located on the sticker inside of the foam dispenser). **Order Part #FD1-0001 for a case of 6 refills, available from PolyJohn.**

Filling the Base:

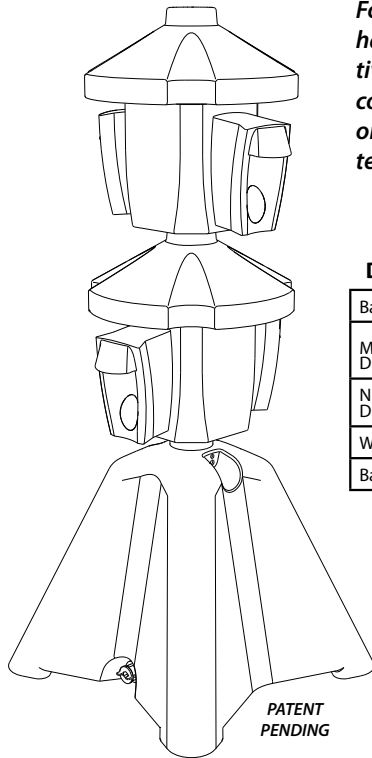
To fill the base with water or sand (in order to create enough ballast to keep from being tipped over), unlock the lock from the base and remove the lock, locking rod and dispensing pipe. Fill with either water or sand and reinsert the dispensing pipe, locking rod and lock.

NOTE: When filling with sand, make sure to tilt the base on its side to keep the bottom raised area free from sand for proper re-installation of the dispensing pipe into the base.

Draining the Base:

To drain the base if filled with water, simply loosen the PC-000554 Plug located at the bottom of the base. Hand tighten the plug when finished draining. If filled with sand, unlock the lock, remove the lock and locking rod and pull out the dispensing pipe. Turn the base upside down and empty. Reinsert the dispensing pipe, locking rod and lock when empty.

SAN1-2100 - SaniStand
November 2008
Page 2 of 2



POLYJOHN USA

PolyJohn Enterprises Corp
2500 Gaspar Ave.
Whiting, IN 46394
Phone: 800-292-1305
Fax: 219-659-0625
www.polyjohn.com
info@polyjohn.com

POLYJOHN WORLDWIDE

PolyJohn (UK) Ltd.
Equinox 1 Audby Lane
Wetherby, England LS22 7RD
Phone: 44 (0) 1937-583333
Fax: 44 (0) 1937-583322
sales@polyjohn.co.uk

SAN1-2100 - SaniStand
November 2008
Page 1 of 2

POLYJOHN CANADA

PolyJohn Canada
P.O. Box 2300
199 Forest Plain Rd.
Orillia, Ontario LV3 6S2
Phone: 800-465-9590
Fax: 705-325-8250
info@polyjohncanada.ca